

Quick Start - Link to Gallagher TW-3

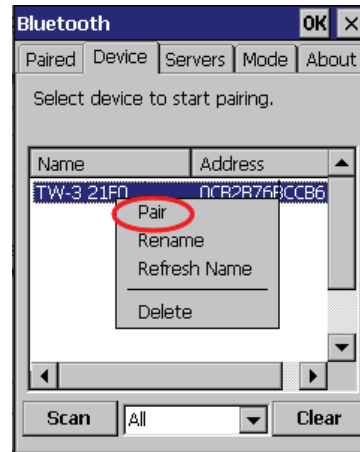
QS

Gallagher TW-3

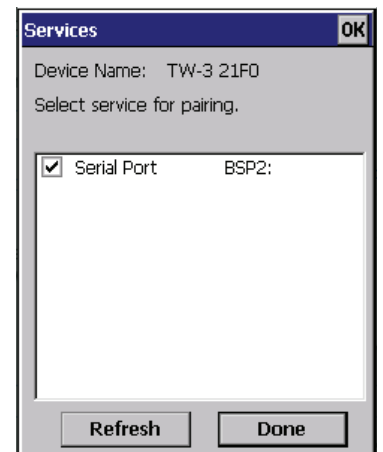
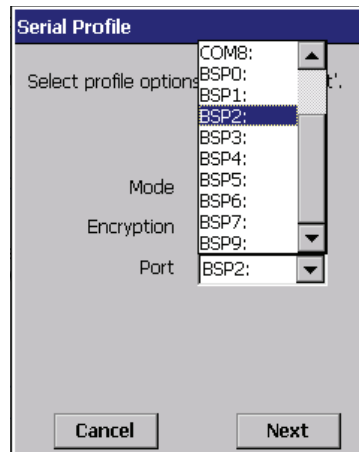
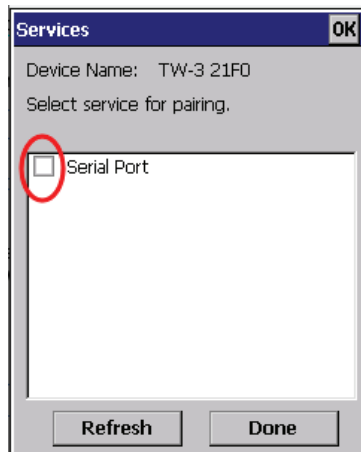
- ▷ links to the Shearwell stock recorder - pairing code 0000.
- ▷ links to SDL440 blue stick reader - no pairing code.
- ▷ Configure the stick reader so the EID Output is set to decimal.
- ▷ Does **NOT** link to SDL400 red stick reader.

Link to a stock recorder

- » Power on the TW-3.
- » On the stock recorder, go to **Settings > Control panel > Bluetooth Manager**.
- » On the **Device** tab, scan to find the signal from the weigher.
- » Select TW-3 XXX. Tap **Pair**.
- » Enter 0000 as the passcode. Tap **Next**.



- » Tap the tick box for **Serial Port**.
- » Pull down the dropdown list and select any BSP port except for BSP1. Tap **Next**.
- » Tap **Done** to finish, and then exit the Bluetooth Manager.



Quick Start - Link to Gallagher TW-3

QS

Set up the TW-3

- » On the TW-3 weigher, touch the icon to open Settings.
- » Use the touchscreen to select **Device Settings**.
- » Select **Bluetooth**.

SETTINGS
Equipment Connections
Life data, Traits, Activities
Device Settings
Templates
About

DEVICE SETTINGS
Bluetooth
Wi-Fi
Local Settings
Regional settings
Engineering menu

- » Your stock recorder name is displayed as a **Connected Device**.
- » Touch your stock recorder name.
- » Under the options select **Data Device 1**.

BLUETOOTH	
Enable Bluetooth	<input checked="" type="checkbox"/>
Connected Devices	
SHEARWELL G4813	

BLUETOOTH	
DISCONNECT	Connected to master: Name: SHEARWELL G4813 MAC Address: B4:74:9F:0D:A1:BC Type: Data Device 1
OR Connect as	
EID READER	
DRAFTER	
PC/SMART PHONE	
Data Device 1 <input checked="" type="checkbox"/>	
Data Device 2	

- » Go back to the first Settings screen.
- » Select Equipment Connections.
- » Touch your stock recorder name.

SETTINGS
Equipment Connections
Life data, Traits, Activities
Device Settings
Templates
About

EQUIPMENT CONNECTIONS
Loadbars
EID Reader
Drafter
Data Device 1 SHEARWELL G4813
Data Device 2

Quick Start - Link to Gallagher TW-3

» On the Data Device 1 screen touch **Settings**.

DATA DEVICE 1	
Bluetooth data device 1 connected.	
SETTINGS	
CHANGE	

- » Select **Type**, then select **Ruddweigh**.
- » Select **Ruddweigh Interface - View Options**

DATA OUTPUT SETTINGS	
Name: SHEARWELL G4813	RESET SETTINGS NEXT
Type	
View Options	

SET TYPE	
Data Logger	
Ruddweigh	✓

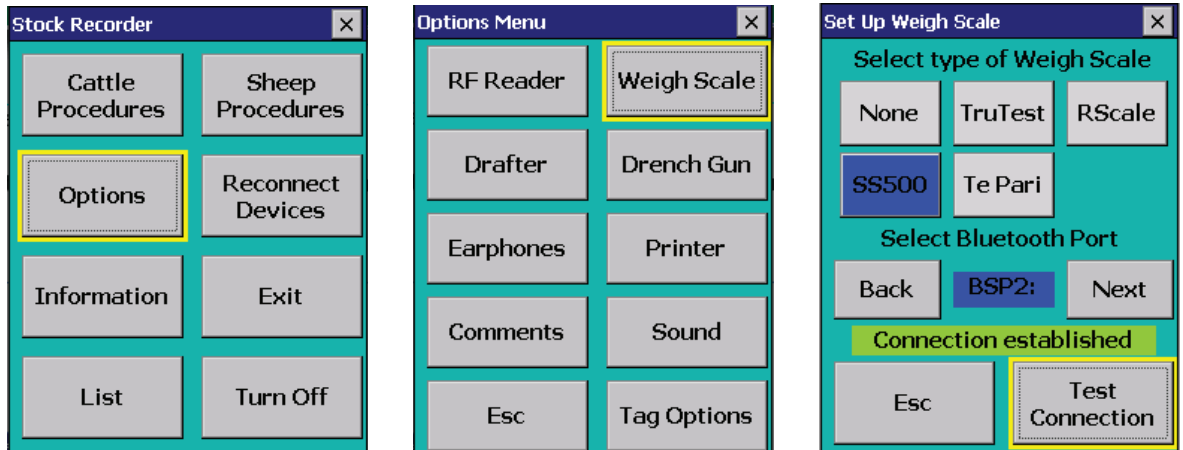
- » Select **Send Weight State** and **Request Mode**.
- » Touch **Done**, and escape to the Home screen to start weighing.

DATA OUTPUT SETTINGS	
Name: SHEARWELL G4813	RESET SETTINGS NEXT
Type Ruddweigh	
Ruddweigh Interface	
View Options	

DATA OUTPUT SETTINGS	
Send Prefix	
Send Weight State	✓
Send Units	
Request Mode	✓
Send Live Weight	
Send on Weight Lock	
DONE	

Quick Start - Link to Gallagher TW-3

- » On the stock recorder open FarmWorks.
- » Go to **Options > Weigher**
- » Select **SS500**. Use the buttons to select the correct BSP port.
- » Test the connection. You are ready to start weighing.

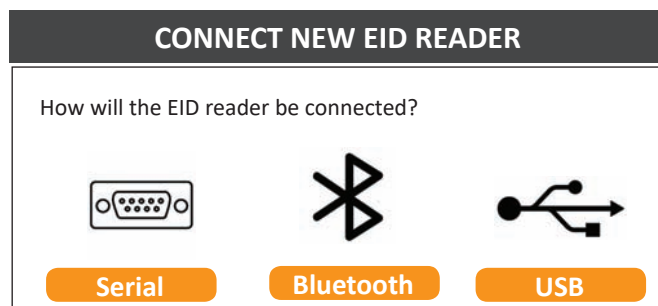


Link to a blue stick reader

- » Power on the stick reader.
- » On the TW-3 weigher, touch the icon to open Settings.
- » Use the touchscreen to select **Equipment Connections**.
- » Select **EID Reader**.

SETTINGS	EQUIPMENT CONNECTIONS
Equipment Connections	Loadbars
Life data, Traits, Activities	EID Reader
Device Settings	Drafter
Templates	Data Device 1
About	Data Device 2

- » How will the EID Reader be connected? Select **Bluetooth**.



- » The weigher will start to scan for available devices. Select your stick reader off the list.
- » Touch **Connect**.
- » Touch **Done**, and return to the weighing screen.
- » When a tag is scanned the EID number will be displayed in the EID field.
- » **Note:** Remember the EID Output format on the stick reader must be set to Decimal or the tag number will not be displayed ! Change the stick configuration through SDL Connect on your computer.